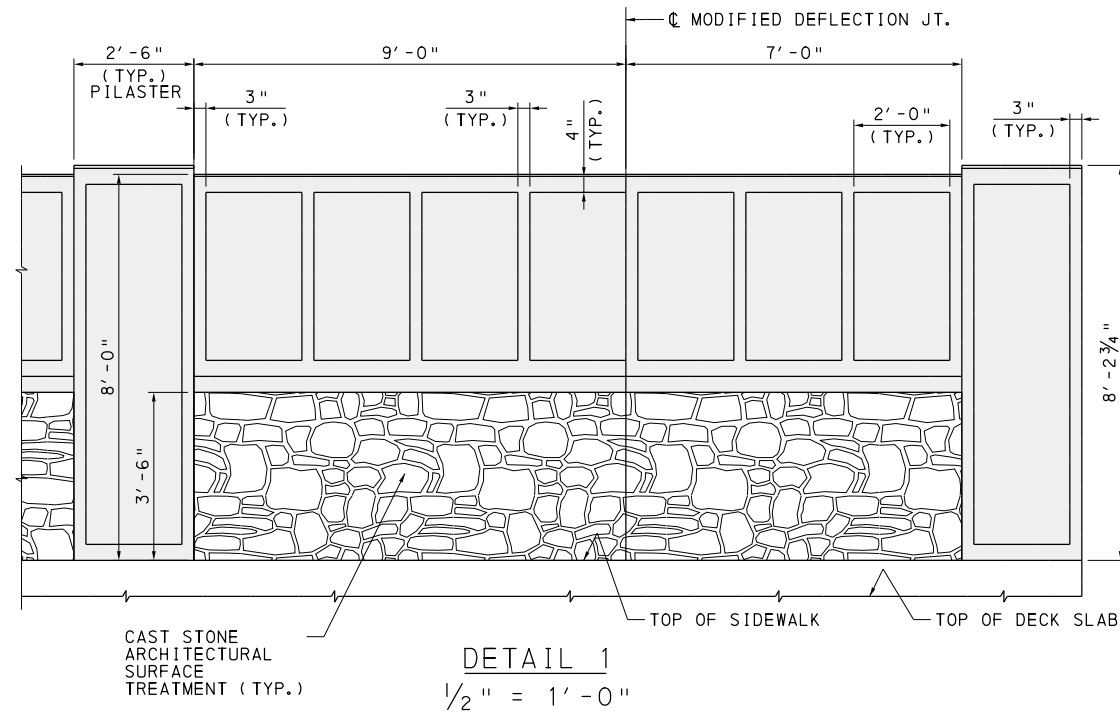


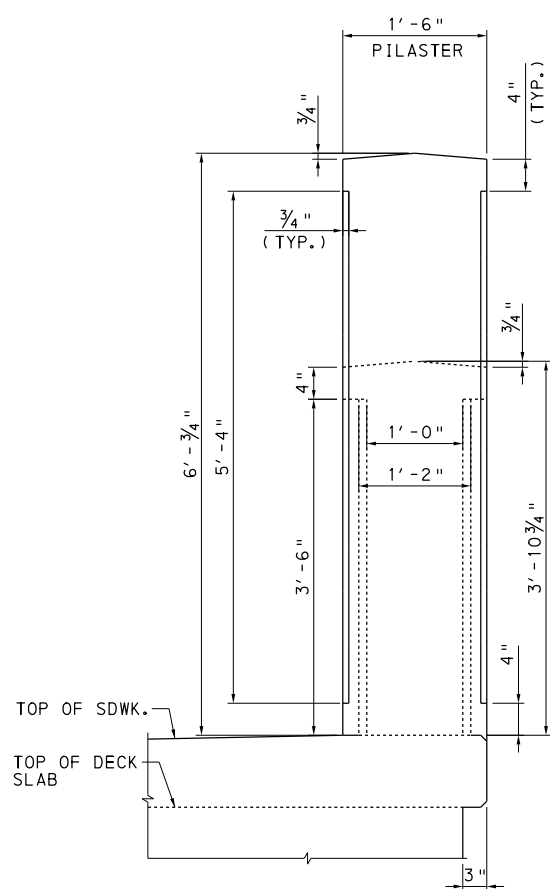
SOUTH PARAPET ELEVATION
(NORTH PARAPET SIMILAR)
3/8" = 1'-0"

- NOTES:**
1. FOR ORNAMENTAL RAILING DETAILS, SEE SHEET 32.
 2. FOR DETAILS ON SIGNAGE OVER HIGH VOLTAGE WIRES, SEE BC-711M. LOCATION OF SIGNS TO BE COORDINATED WITH SEPTA. SUBMIT DETAILS FOR APPROVAL.
 3. APPLY ARCHITECTURAL TREATMENT ON BOTH FACES OF BARRIERS.
 4. ALL ARCHITECTURAL TREATMENTS ON BRIDGE ARE TO BE IDENTICAL TO THE ADJACENT RETAINING WALL STRUCTURES.

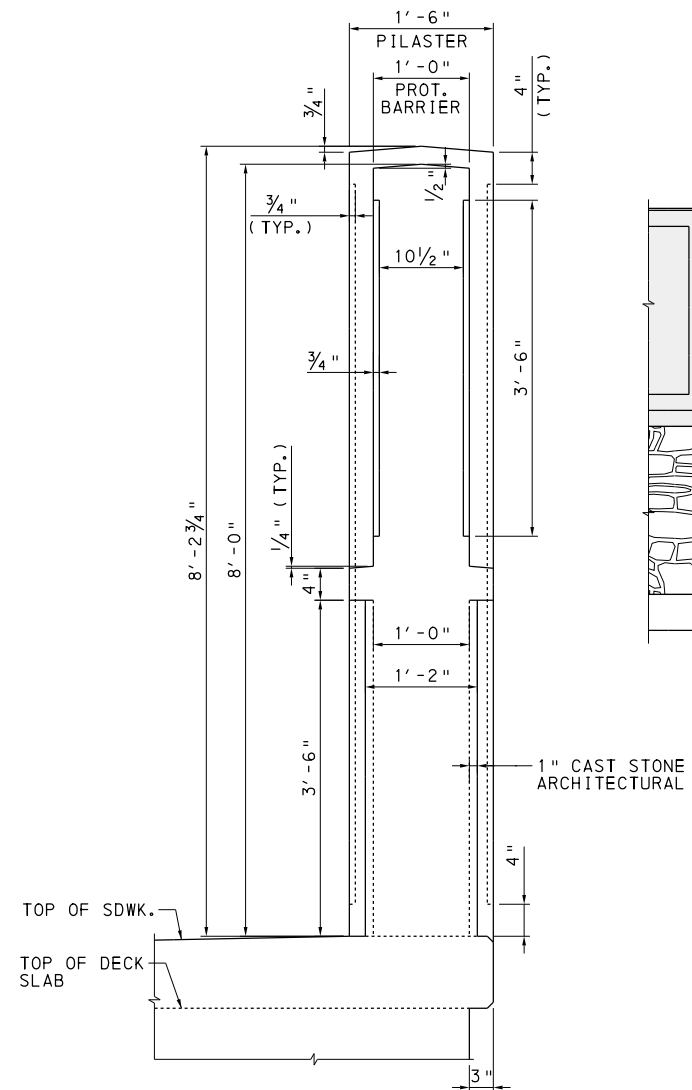


DETAIL 1
1/2" = 1'-0"

Mark	Description	By	Chk'd.	Recm'd.	Date
REVISIONS					



SECTION B
1" = 1'-0"



SECTION A
1" = 1'-0"

LEGEND

-  CAST STONE ARCH. SURFACE TREATMENT
-  PENETRATING SEALER

COMMONWEALTH OF PENNSYLVANIA
DEPARTMENT OF TRANSPORTATION

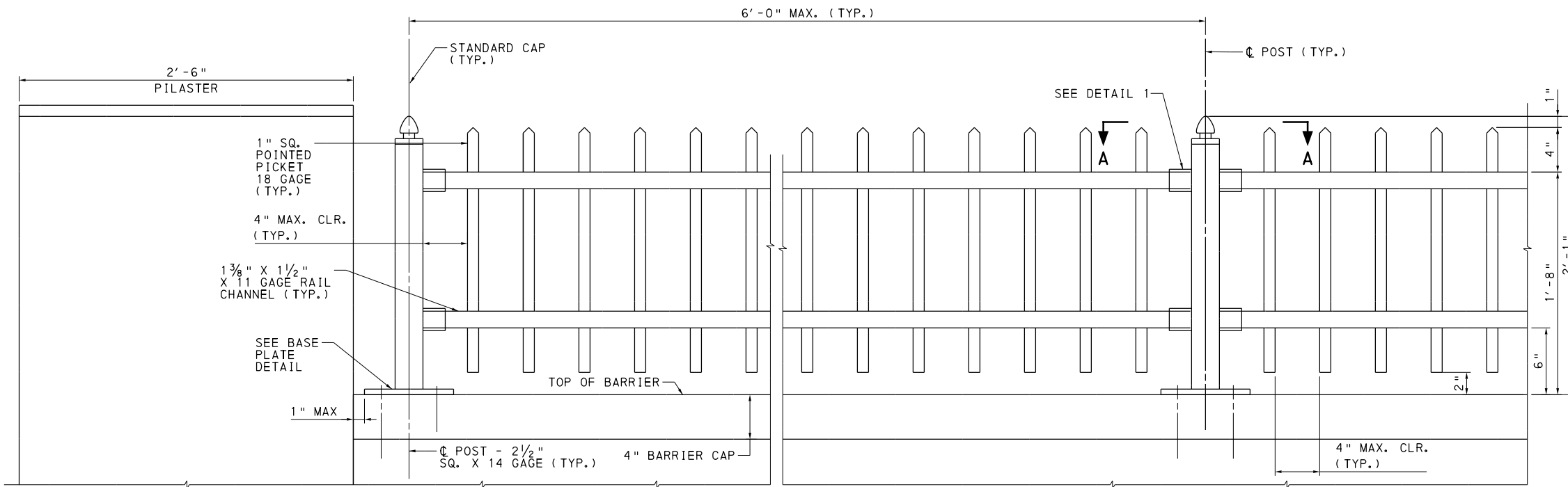
MONTGOMERY COUNTY
SR 2054 SEC 89S
SEG 0030, OFF 1729
SR 2054 STA 15+13.50
GREENWOOD AVENUE OVER SEPTA
ONE SPAN COMP. STEEL GIRDER BRIDGE
BARRIER ARCHITECTURAL DETAILS

RECOMMENDED _____ SHEET 31 OF 46

S-25958

15-MAN-2010 14-56
 penndelrpb PenndOT_Html.dwg
 1/21/2014 Greenwood Ave over SEPTA Station 01.dgn
 PB AMERICA'S GOOD DATA

x	x	x
DESIGNED	DRAWN	CHECKED

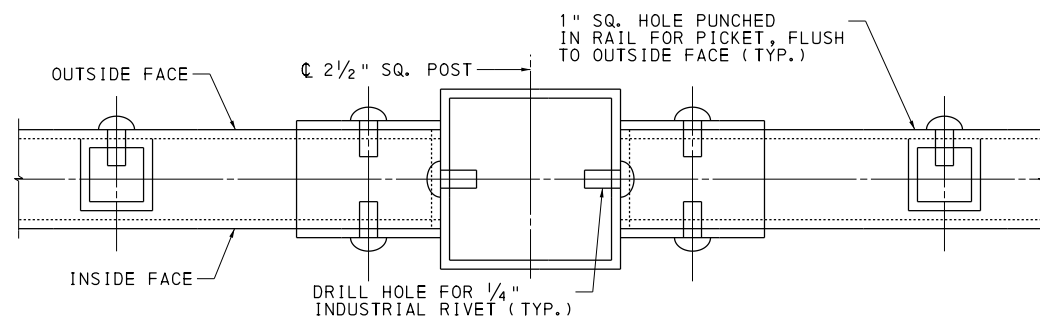


FENCE ELEVATION

2" = 1'-0"

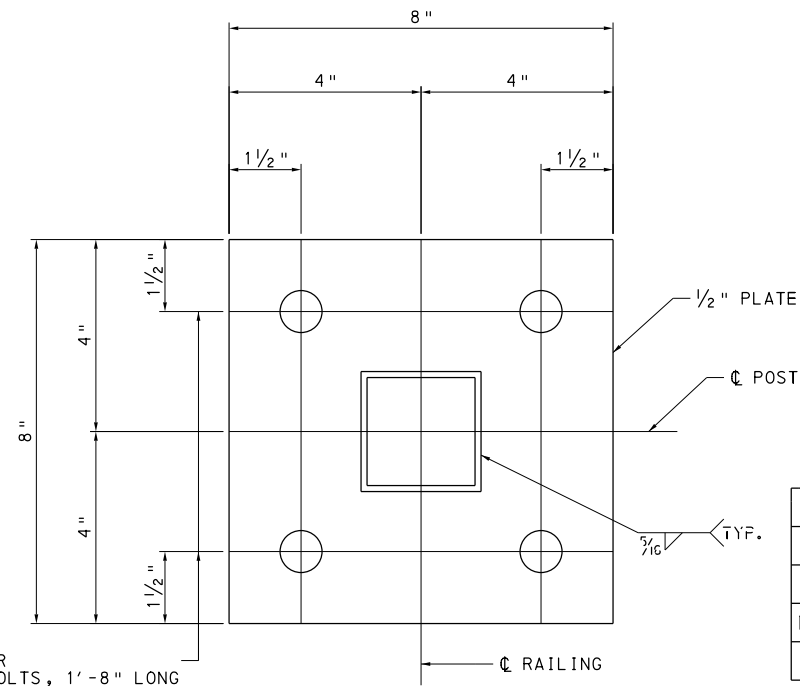
NOTES:

1. PROVIDE HOT ROLLED STRUCTURAL STEEL PICKETS, RAILS AND POSTS IN ACCORDANCE WITH ASTM A513 HOT-DIPPED GALVANIZED ALL COMPONENTS IN ACCORDANCE WITH ASTM A525-G90.
2. PROVIDE ASTM A709, GRADE 36 (OR A36) STEEL BASE PLATE IN ACCORDANCE WITH PUBLICATION 408, SECTION 1105.02 (c) 2.
3. PROVIDE ASTM F1554 GRADE 36 ANCHOR BOLTS IN ACCORDANCE WITH PUBLICATION 408, SECTION 1105.02 (c) 3, GALVANIZED IN ACCORDANCE WITH SECTION 1105.02 (S).
4. PROVIDE 1/4" INDUSTRIAL DRIVE RIVETS FOR CONNECTING PICKETS TO RAILS AND RAIL BRACKETS TO POSTS & RAILS.
5. INSTALL POSTS AND PICKETS PLUMB AND VERTICAL. SHIM POSTS OR PROVIDE LEVELING AS REQUIRED. REFER TO BC-701 FOR DETAILS. INSTALL RAILS PARALLEL TO GRADE.
6. FOR ANCHORAGE DETAILS NOT SHOWN, REFER TO STANDARD DRAWINGS BC-701M AND BC-734M.
7. SECURE STANDARD POST CAPS TO THE BACK AND FRONT FACE OF POSTS USING TAMPER-RESISTANT SCREWS.
8. ANY SCREWS, BOLTS, NUTS, RIVETS, WASHERS, ETC. USED FOR FASTENING THE PICKET FENCE SHALL BE COLOR COORDINATED WITH THE ENTIRE ASSEMBLY.
9. PAINT ALL RAILING COMPONENTS BLACK IN ACCORDANCE W/ PUBLICATION 408.
10. SPACE PICKETS EVENLY. MAXIMUM CLEAR OPENING BETWEEN PICKETS OR BETWEEN PICKET AND POST IS 4".
11. COAT ALL SURFACES OF BASE PLATES IN CONTACT WITH CONCRETE WITH CAULKING COMPOUND PRIOR TO ERECTION AND ALIGNMENT. AFTER ERECTION AND ALIGNMENT, SEAL OPENINGS BETWEEN THE METAL SURFACES AND THE CONCRETE WITH A CAULKING COMPOUND MEETING THE REQUIREMENTS OF SECTION 705, PUBLICATION 408.
12. SUBMIT SHOP DRAWINGS FOR APPROVAL.



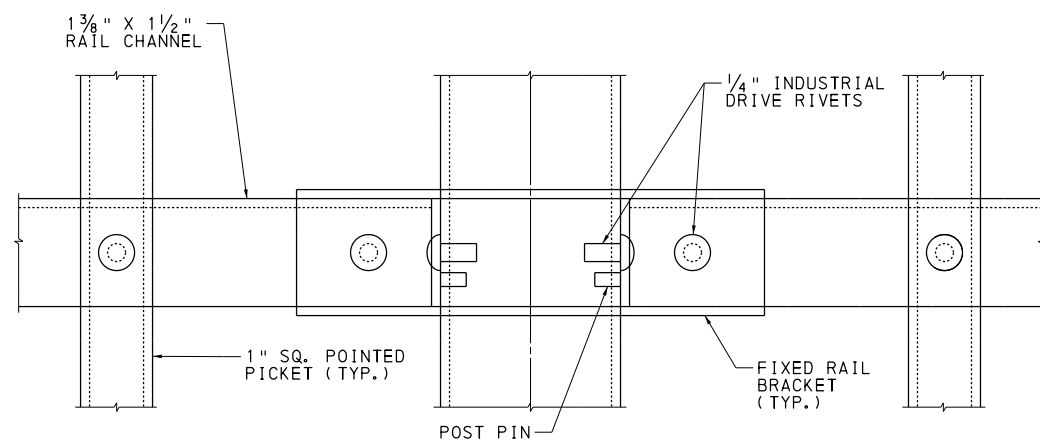
SECTION A-A

N. T. S.



BASE PLATE DETAIL

N. T. S.



DETAIL 1

N. T. S.

Mark	Description	By	Chk'd.	Recm'd.	Date
REVISIONS					

COMMONWEALTH OF PENNSYLVANIA
DEPARTMENT OF TRANSPORTATION

MONTGOMERY COUNTY
SR 2054 SEC 89S
SEG 0030, OFF 1729
SR 2054 STA 15+13.50
GREENWOOD AVENUE OVER SEPTA
ONE SPAN COMP. STEEL GIRDER BRIDGE
ORNAMENTAL RAILING DETAILS

RECOMMENDED _____ SHEET 32 OF 46

S-25958

15-MAN-2010 14-56
 PENNSTATE PERIODIC
 12/21/10A Greenwood Ave over SEPTA (10/10)

DESIGNED	DRAWN	CHECKED
----------	-------	---------